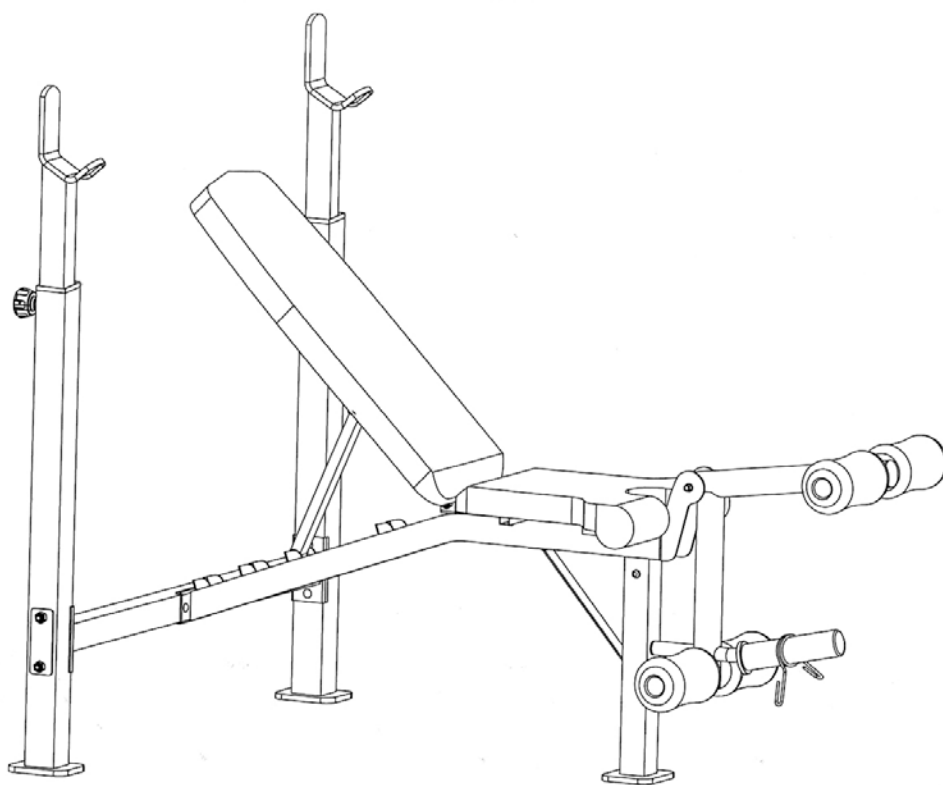


MARCY®

OLYMPIC BENCH

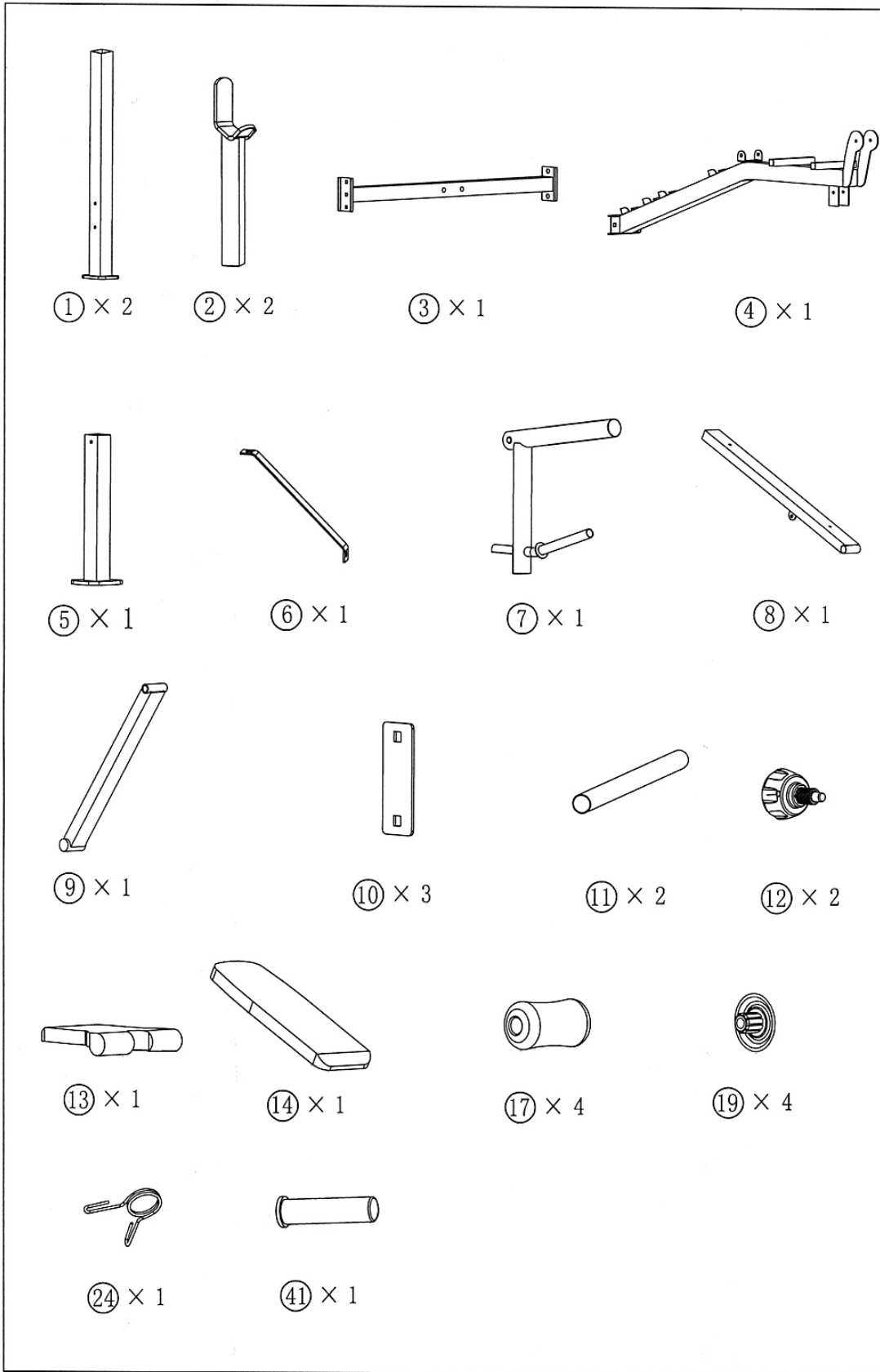
MWB-732

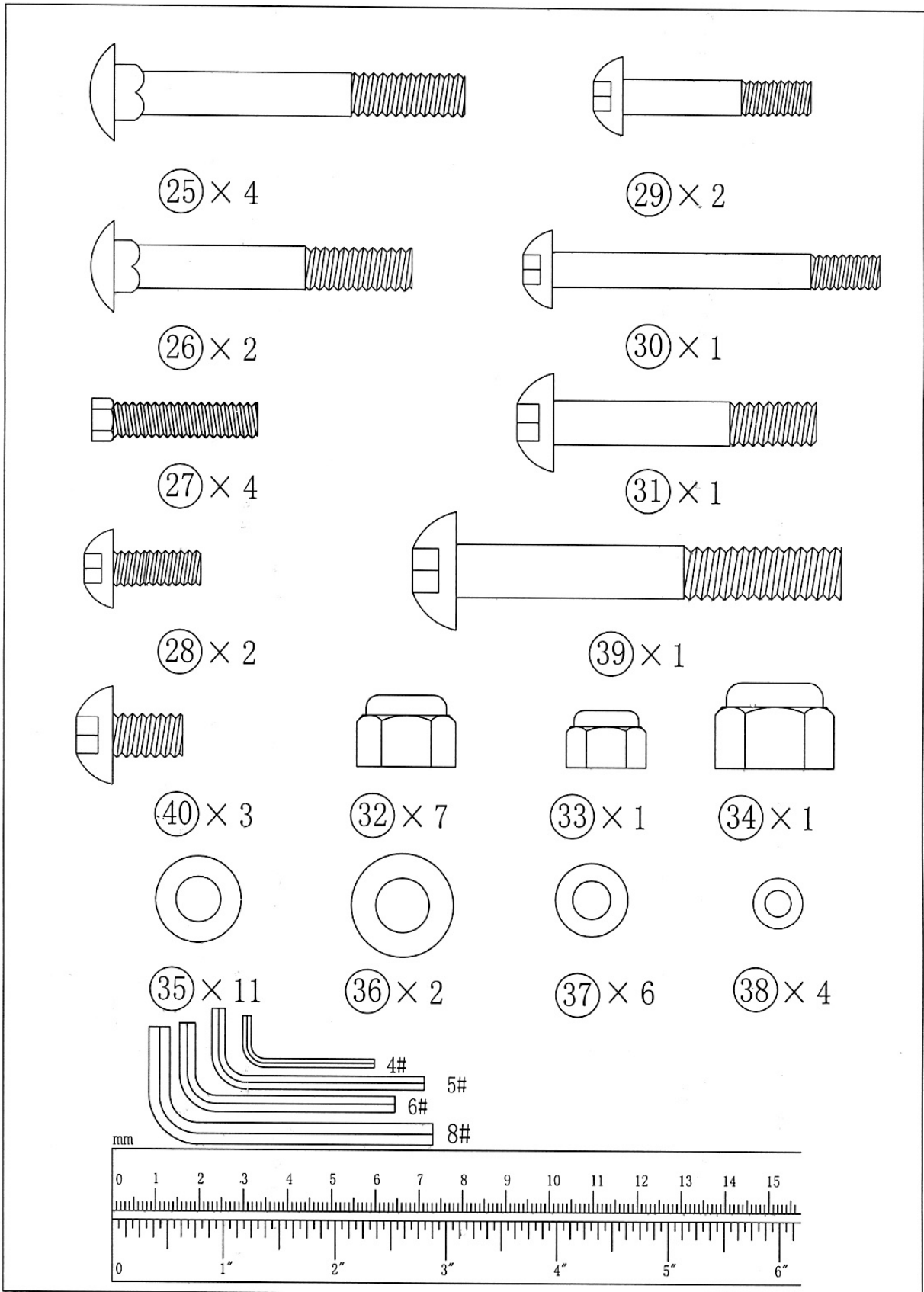


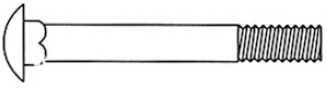
IMPORTANT: Please read the Important Safety Notice and Assembly Information in the Owner's manual before assembling this product.

Assembly Manual

130708

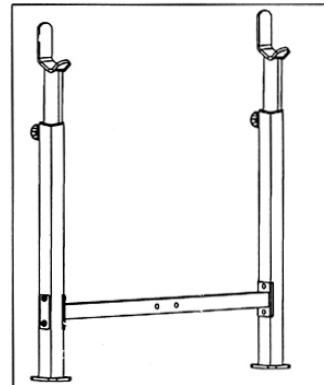
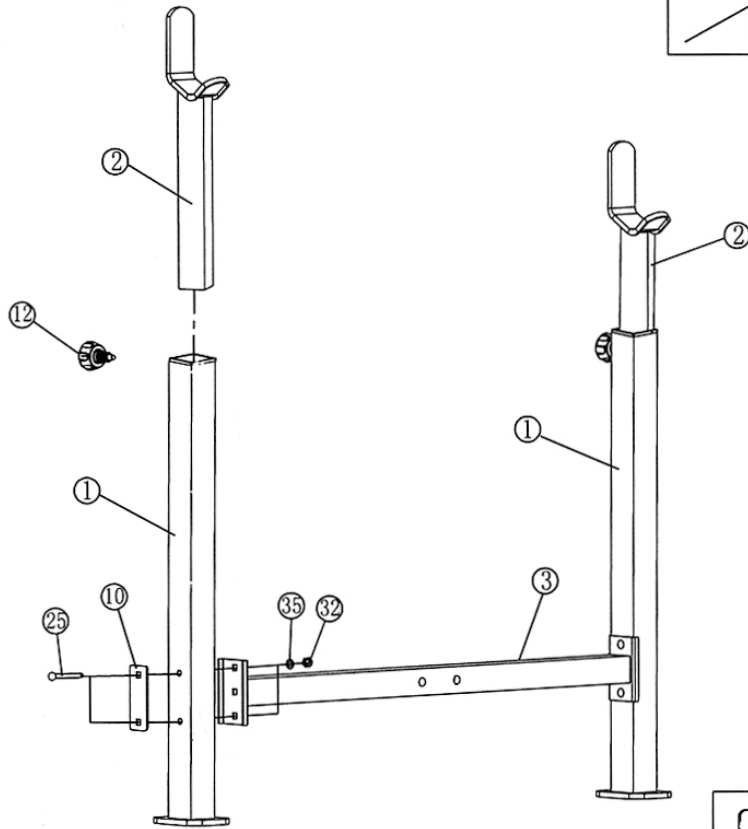
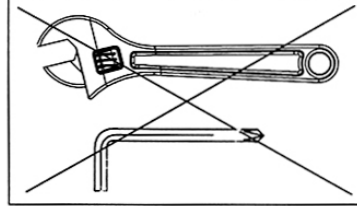




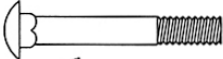





②⑤ × 4  M10 x 3 1/8"

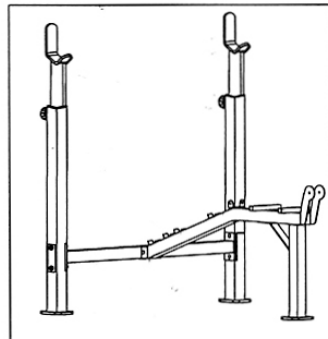
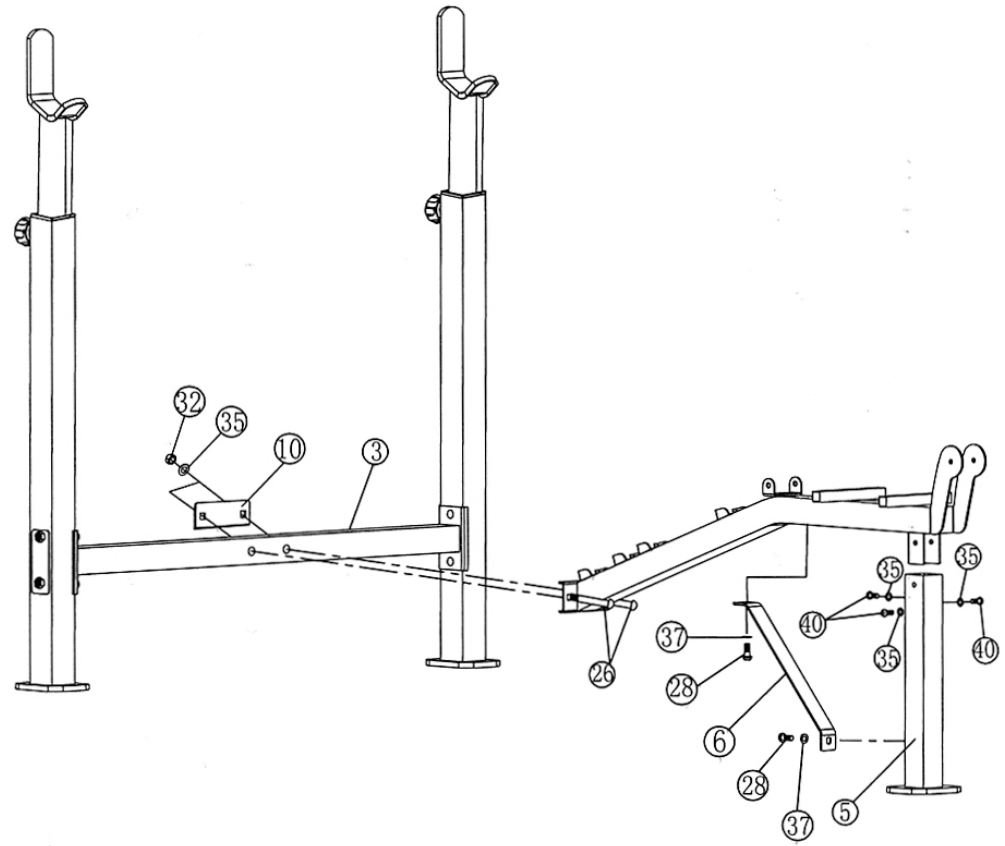
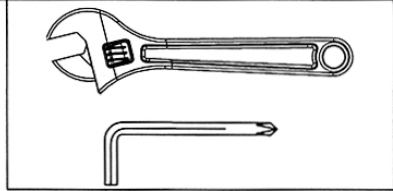
③⑤ × 4  Ø 3/4"

③② × 4  M10



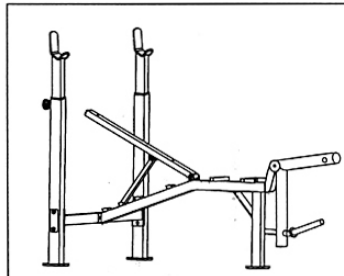
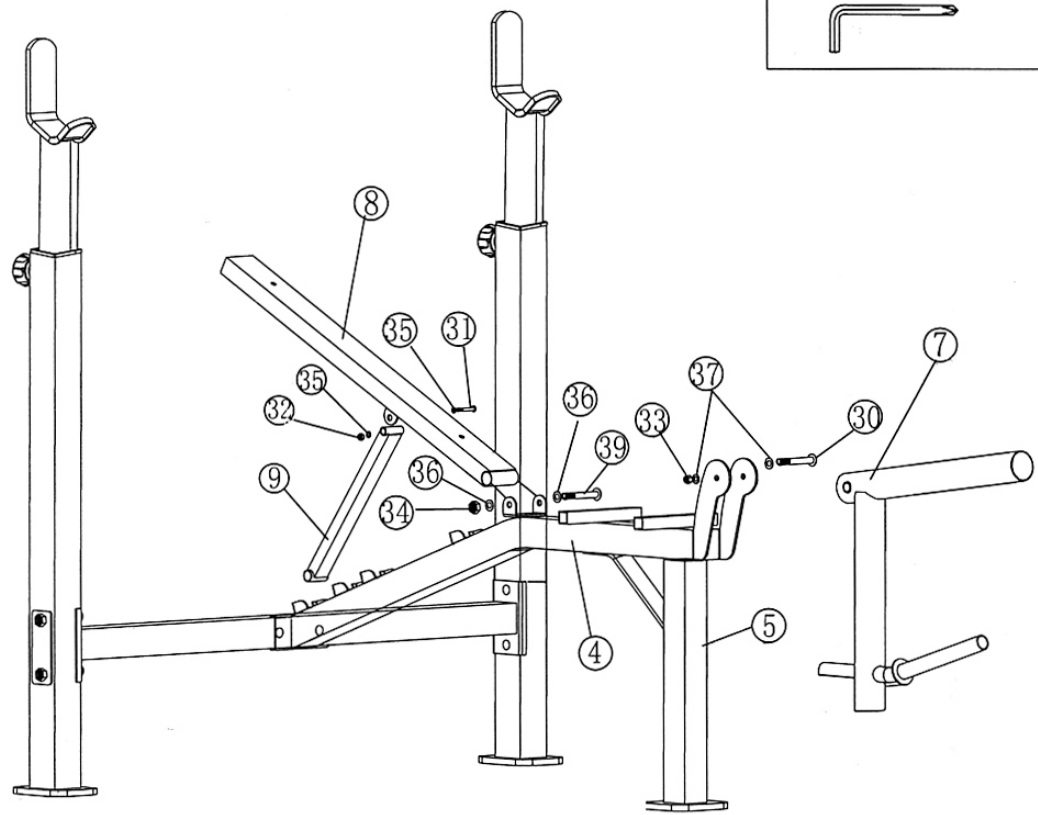
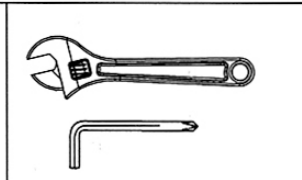
1

②⑥ × 2		M10 x 2 1/2"	③⑤ × 5		Ø 3/4"
②⑧ × 2		M8 x 3/4"	③⑦ × 2		Ø 5/8"
④① × 3		M10 x 5/8"			
③② × 2		M10			



2

- | | | | | | |
|--------|--|--------------|--------|--|--------|
| ③① × 1 | | M8 x 3" | ③② × 1 | | M10 |
| ③① × 1 | | M10 x 2 3/8" | ③④ × 1 | | M12 |
| ③⑨ × 1 | | M12 x 3 1/2" | ③③ × 1 | | M8 |
| ③⑤ × 2 | | Ø 3/4" | ③⑦ × 2 | | Ø 5/8" |
| ③⑥ × 2 | | Ø 1" | | | |



3

②7 × 4 

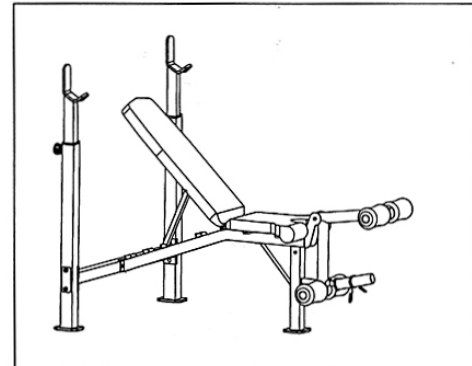
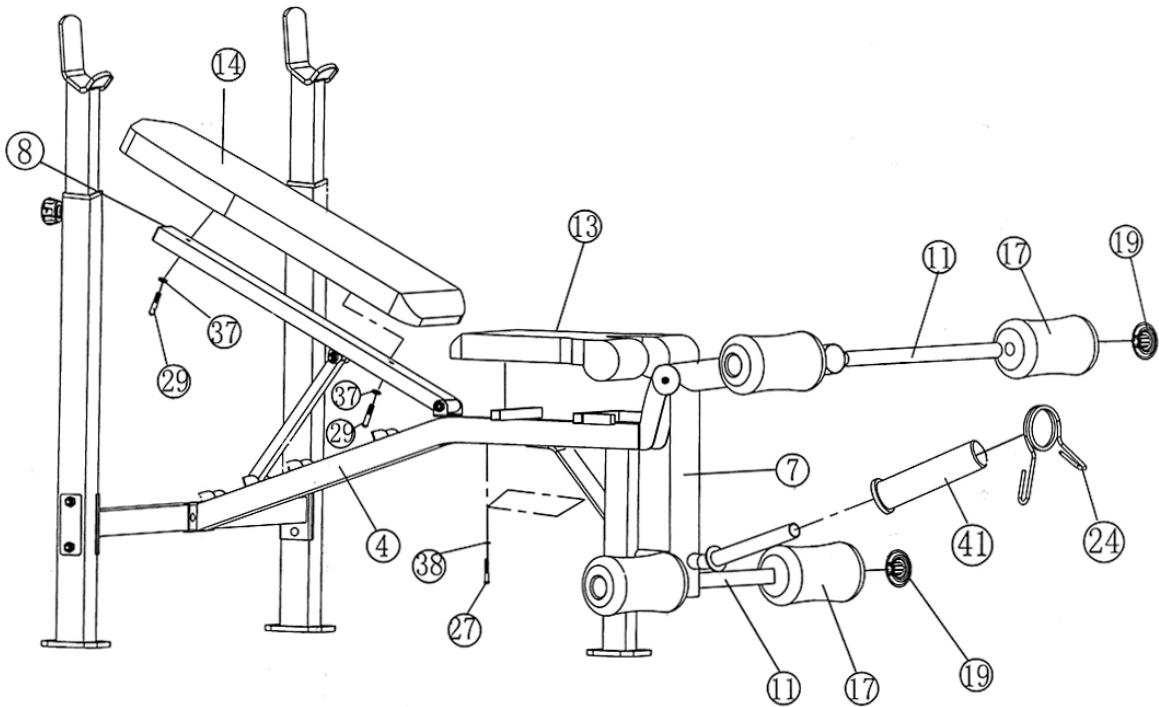
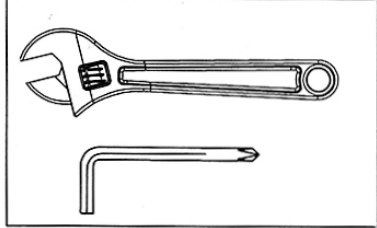
M6 x 1 $\frac{3}{8}$ "

③8 × 4  $\varnothing \frac{1}{2}$ "

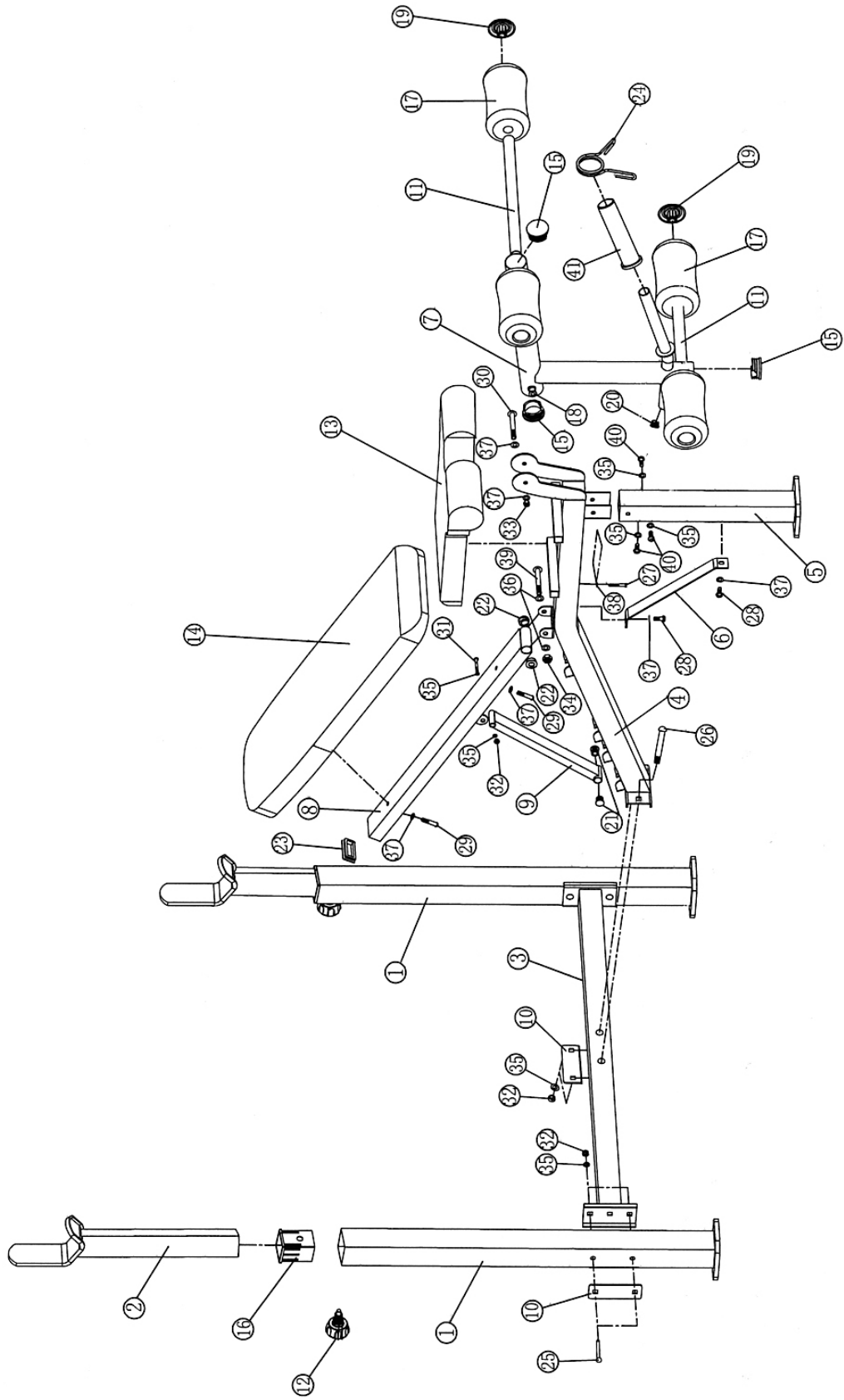
②9 × 2 

M8 x 1 $\frac{3}{4}$ "

③7 × 2  $\varnothing \frac{5}{8}$ "



4



IMPEX® INC.

2801 S. Towne Ave, Pomona, CA 91766

Tel: (800) 999-8899 Fax: (626) 961-9966

www.impex-fitness.com

info@impex-fitness.com